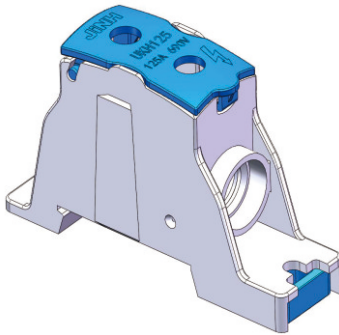
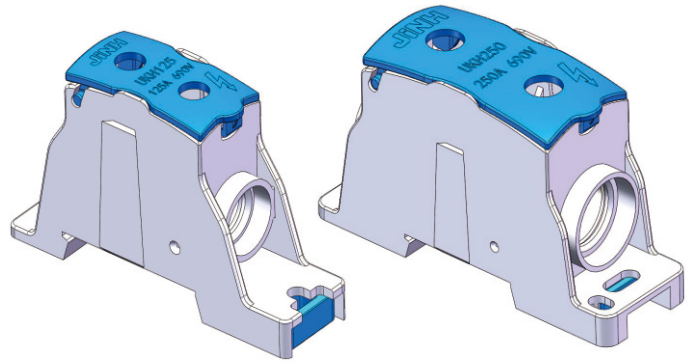


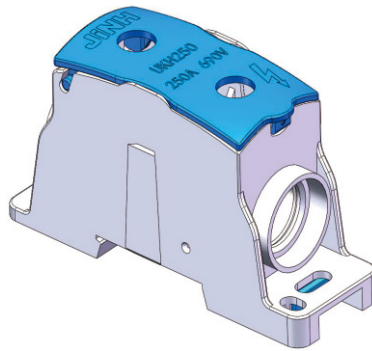
JHUKK系列单级分线盒
JHUKK SERIES UNIPOLAR JUNCTION BOX

Technical Specification

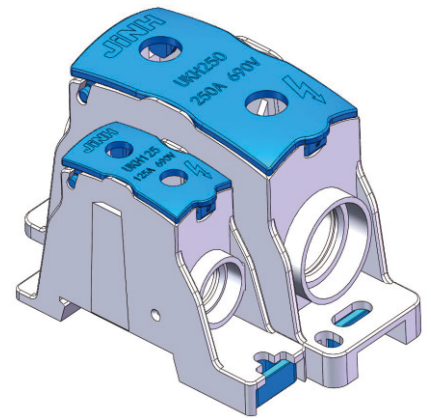
- Material: made from PA Nylon.
- Grade of flame retardant:UL94V0
- Metal material: Brass nickel plated
- The transparent cover is good to see if the cable is in a reliable connection







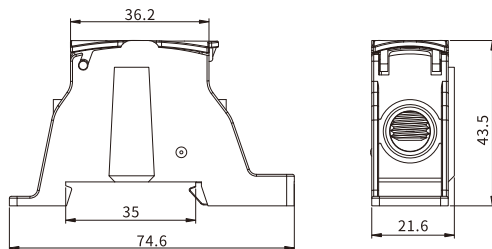
JHUKH-125



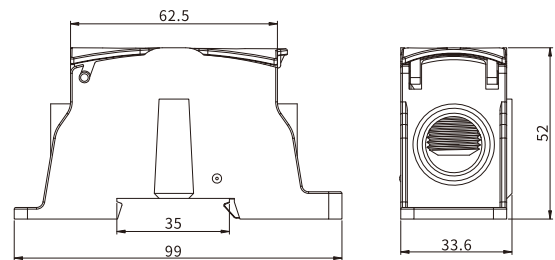
JHUKH-250



Item No.	Current (Amp)	Voltage (V)	Conductor connection range (mm ²)	Quantity of hole (pcs)	Dimensions (L×W×H) (mm)
JHUKH125	125A	690V IEC	 10 to 35  10 to 35	1x1	75×21.6×43.5
JHUKH250	250A	690V IEC	 35 to 120  35 to 120	1x1	99×33.6×52



JHUKH-125



JHUKH-250